

Hiab XS 111

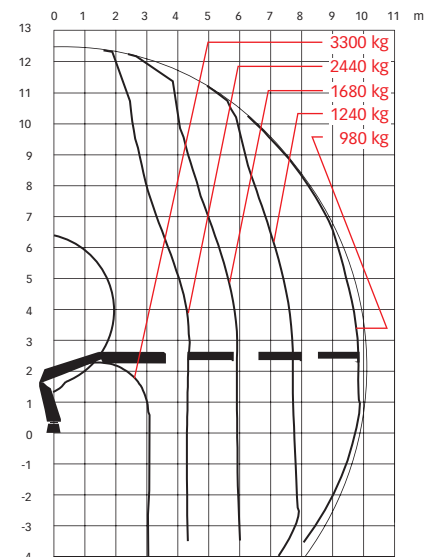
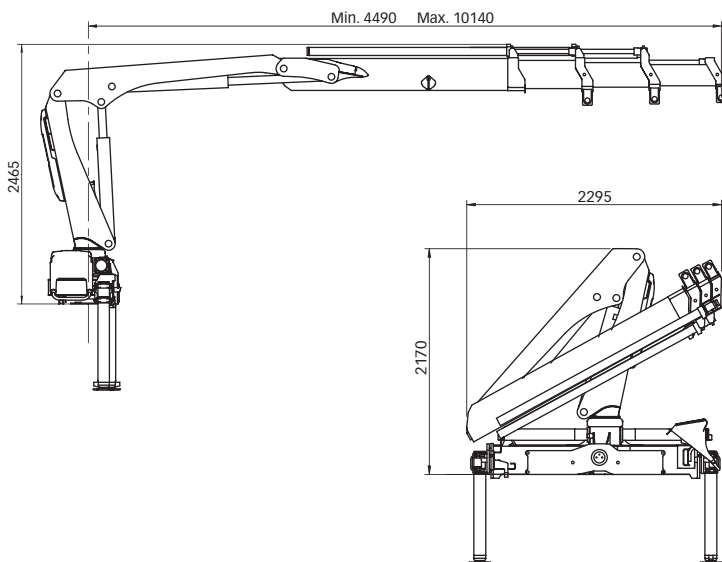
Range 8–11 tm



Hiab XS 111 Basic data

Technical data	B-2 Duo	BS-2 HiDuo	B-3 Duo	B-3 HiDuo	E-3 HiDuo	E-5 HiDuo
Max. lifting capacity (kNm)	97	106	93	101	103	97
Outreach, hydraulic extensions (m)	8.0	7.7	10.1	10.1	10.2	14.6
Outreach, manual extensions (m)	12.1	11.8	12.1	12.1	14.3	16.7
Outreach / lifting capacity (m / kg)	2.8 / 3550	2.3 / 4650	3.1 / 3150	3.1 / 3300	2.4 / 4350	2.6 / 3800
	4.2 / 2360	3.9 / 2780	4.3 / 2200	4.3 / 2440	4.3 / 2440	4.5 / 2180
	5.9 / 1680	5.5 / 1940	5.9 / 1560	5.9 / 1680	6.1 / 1660	6.3 / 1420
	7.7 / 1260	7.4 / 1440	7.8 / 1140	7.8 / 1240	8.1 / 1200	8.3 / 980
	-	-	9.8 / 900	9.8 / 980	10.2 / 940	10.4 / 720
	-	-	-	-	-	12.5 / 580
Slewing angle (°)	-	-	-	-	-	-
Height in folded position (mm)	-	-	-	-	-	-
Width in folded position (mm)	2250	2250	2295	2295	2390	2486
Installation space needed (mm)	695	695	785	785	792	808
Weight, "standard" crane without stabilizers (kg)	1200	1180	1300	1300	1510	1730
Weight, stabilizer equipment (kg)	140 - 285	140 - 285	140 - 285	140 - 285	140 - 285	140 - 285

Hiab XS 111 B-3 HiDuo



Disclaimer Hiab cranes have been built to meet the highest standards of safety and service life and have been thoroughly tested. Strength calculations for this model have been carried out in accordance with EN13001 in fatigue class S2. Cargotec's certified Quality Assurance System complies with ISO 9001. Some of the items in our literature may be extra equipment. Certain applications may require an official permit. We reserve the right to change technical specifications without prior notice. Hiab cranes produced for EU-countries are CE-marked and comply with the European Standard EN 12999.

Cargotec improves the efficiency of cargo flows on land and at sea - wherever cargo is on the move. Cargotec's daughter brands, Hiab, Kalmar and MacGregor are recognised leaders in cargo and load handling solutions around the world.

Cargotec's global network is positioned close to customers and offers extensive services that ensure the continuous, reliable and sustainable performance of equipment. www.cargotec.com